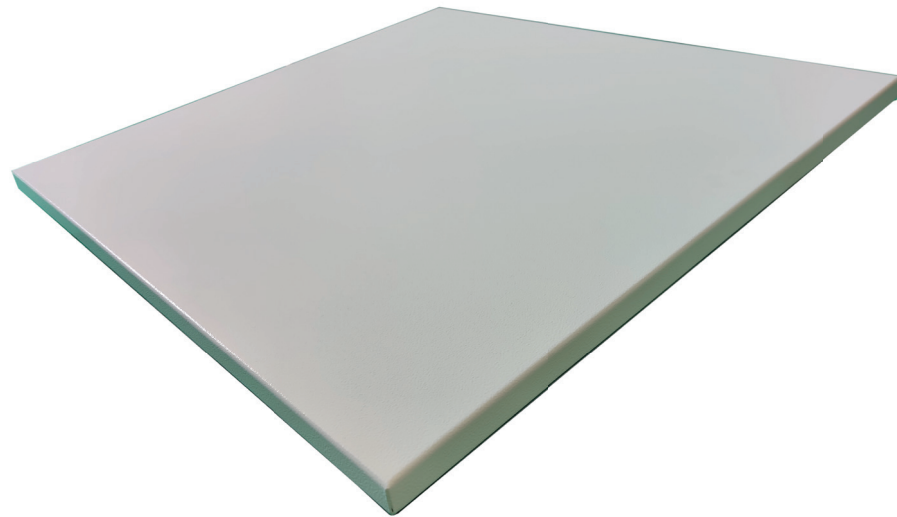


GB

Installation and operating instructions for infrared panels
Wall mounting type ISP



Models

ISP 350 till ISP 1200

ISP 351 till ISP 851

ISP Motiv

Please note and keep in a safe place!
Subject to change without notice!
Id_Nr. MAG-000506
Issue: 04/26

1. General information about our electric infrared heaters

Congratulations on your purchase!

We would like to congratulate you on the purchase of your infrared heating system and thank you for the trust you have placed in us. You have purchased a high-tech product in the form of an infrared heating system for your living space: its economical and ecological design will provide you with untroubled enjoyment and practical benefits for a very long time, provided you observe the following instructions and guidelines. Compliance with these rules is an absolute prerequisite for any warranty claims.

Depending on the thermal insulation standard, you need a heating output of between 25 and 175 W/m² of living space. During commissioning, the solid objects (furniture, walls, ceilings and floors) heat up first. Infrared heaters have a very high radiant component and a low convective component in the heating output. For safety reasons, the maximum surface temperature is approx. 105 °C, so the total output of the appliances is limited.

General information

TECHNOTHERM infrared heaters (hereinafter referred to as -IRH-) do not work on the principle of convection heat, but on the principle of radiant heat. When the heater is first used, the cold objects (furniture, walls, ceiling and floor) may need to warm up first. If you do not feel a pleasant warmth immediately, leave the infrared heater in operation for several hours, possibly 1 to 2 days. A pleasant room climate will then be established immediately. The operating time of the infrared heater can then be minimised. We recommend using our high-quality thermostats to maximise the efficient and energy-saving heating performance of the TECHNOTHERM IRH.

2. Important notes

2.1 Safety

TECHNOTHERM IRH type ISP are designed and suitable for use as wall heaters. Intended use, especially before initial commissioning, also includes observing and complying with all the following safety and installation instructions:

- **This appliance is not intended for use by persons (including children) with reduced physical, sensory or mental capabilities, or lack of experience and knowledge, unless they have been given supervision or instruction concerning use of the appliance by a person responsible for their safety.**
- **Young children should be supervised to ensure that they do not play with the appliance.**
- **WARNING: To avoid overheating, do not cover the appliance!**
- **Do not place the heater under a socket, drain or similar.**
- **To avoid burns, do not touch the appliance on the surface when it is switched on.**
- **Do not place the cable under carpets or rugs and ensure that it does not pose a tripping hazard.**
- **Only connect the heater to a properly earthed socket.**
- **Only use the appliance as described in these instructions. Any other use could result in fire, electric shock or injury to persons.**
- **Do not operate the appliance in the immediate vicinity of bathtubs, showers or swimming pools.**
- **If the connecting cable is damaged, it must be replaced by the manufacturer or a service centre authorised by the manufacturer.**
- **ATTENTION: To avoid danger due to unintentional resetting or changing the thermal setting, the heater must not be connected and operated via an external switching device such as a timer.**
- **Please do not place any clothing or towels on the appliance due to the risk of overheating.**
- **Do not use the appliance with an extension cable until it has been checked by an electrician.**
- **Do not use the appliance in any other way than intended.**
- **Do not use the appliance near curtains, flammable, explosive or easily deformable materials.**
- **Keep flammable materials such as furniture, cushions, bed linen, paper, clothing, curtains, etc. at least 0.5 m to the front and 0.2 m from the edges of the appliance.**
- **Do not use the appliance in rooms where petrol, paint or other flammable liquids are stored.**
- **The appliance is not suitable for outdoor use.**

Installation instructions ISP Infrared Heater



This appliance can be used by children aged from 8 years and above and persons with reduced physical, sensory or mental capabilities or lack of experience and knowledge if they have been given supervision or instruction concerning use of the appliance in a safe way and understand the hazards involved.

Children must not play with the appliance. Cleaning and user maintenance must not be carried out by children without supervision.

These supervisors are subject to a special duty of care when using radiant heaters.

Children under the age of 3 must be kept away unless they are constantly supervised. Children over the age of 3 and under the age of 8 may only switch the appliance on and off if they are supervised or have been instructed in the safe use of the appliance and have understood the resulting dangers, provided that the appliance is placed or installed in its normal position of use. Children aged 3 years and younger than 8 years must not insert the plug into the socket, regulate the appliance, clean the appliance and/or carry out user maintenance.

Caution: Some parts of the product can become very hot and cause burns. Special care must be taken when children and vulnerable persons are present.

WARNING - THIS APPLIANCE MUST BE EARTHED

The heater may only be operated with an AC power supply and the operating voltage printed on the rating plate.

- Nominal voltage: 1/N/PE ~ 230V 50 Hz
- Protection class: I
- Room thermostat (RF-Serie): 7°C till 30°C
- Power: 400 - 1200W depending on the appliance



To prevent the appliance from overheating, it must not be covered.

Further information:

- Please keep all packaging components out of the reach of children to prevent accidental ingestion.
- When using multiple sockets, observe the maximum permissible current, otherwise there is a risk of fire. Ensure that extension cables have a sufficient conductor cross-section, otherwise there is a risk of fire. Do not operate the appliances with coiled cable drums! There is a risk of fire due to overheating of the cable reel.
- Hand over all device documentation for the product (sale, hire, etc.) when passing it on to third parties.
- Failure to observe the instructions may result in serious damage to property and personal injury (death/injury).



Area of application: These heaters are intended exclusively for domestic environments, shops, offices, hotels and similar environments, e.g. small businesses and not in factory halls and industrial areas. The manufacturer accepts no liability for improper use.

These products must not be disposed of with normal household waste in order to enable recycling. Only dispose of this device at the designated collection points or contact the responsible authorities.

2.2 Ecodesign requirements

ISP series

This product is a stationary electric single-room heater with a rated heat output of more than 250W in order to fulfil the mandatory ecodesign requirements of Commission Regulation (EU) 2024/1103, it must be supplemented by a controller (e.g RF with TPF-Eco) that fulfils at least the following control functions:

TW (0/2/0/0/0/0/0/0)

TW (0/0/3/0/0/0/0/0)

TW (0/0/0/4/0/0/0/0)

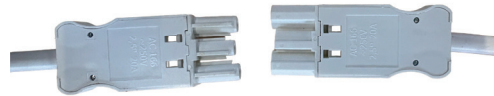
TW (0/0/0/0/0/0/7/0)

TW (0/0/0/0/0/0/0/8)

(Controller functions according to code - see table Controller functions on page 7)

All appliances are equipped with an industrial plug in compliance with the Ecodesign, which does not allow connection without a thermostat.

Install the TECHNOTHERM infrared heater using the supplied mounting hardware, or fit the spacer brackets in accordance with the installation instructions. Connect the plug (manufactured by Adels Kontakt) to its counterpart (the plug from the wireless controller) – see illustration. Our infrared heaters are supplied exclusively with these industrial plugs. This ensures correct commissioning in accordance with the ErP standard.



3. General installation instructions

- TECHNOTHERM infrared heaters may only be installed using the suspension device supplied. The warranty is excluded for damage caused by installation without the original suspension device and no liability is accepted for consequential damage.
- We recommend that you have the installation carried out by a certified specialist company.
- Connection via a fixed mains connection must only be carried out by a licensed specialist.
- The TECHNOTHERM IRH must be attached to the wall using the mounting kit supplied.
- The TECHNOTHERM infrared heater may only be installed or removed when it has completely cooled down.

4. Commissioning

Install the TECHNOTHERM infrared heater using the fastening elements supplied or attach spacer brackets in accordance with the installation instructions. Connect the plug to the mains (230 V). The appliance has a safety switch that switches off in the event of improper use (overheating due to blocking or covering). After a waiting time of approx. 15 to 20 minutes, the thermal switch activates automatically and the appliance is ready for use again. The prerequisite for this is that all covers have been removed and a thermal blockage cannot occur again.

TECHNOTHERM infrared heaters are supplied as standard without a control and without a switch. This makes them ideal for new builds and wherever wired room thermostats are used. In any case, the infrared heater should be operated with a thermostat.

Your TECHNOTHERM infrared heaters can also be connected directly to a flush-mounted wall box.

Notes on installation

You are responsible for the load-bearing capacity of the wall and the fastening of the wall bracket. Due to the wide range of wall materials, please check before installation whether the supplied fixing material is suitable for fixing. When mounting on a brick wall, we recommend using dowels with a diameter of 8 mm.

5. Wall mounting step by step

Drill holes

Remove the wall bracket from the heater. Hold the wall bracket against the wall and mark the first drill hole. After you have drilled the first hole, insert the first plug into the drilled hole and lightly fasten the wall bracket on one side with the first screw.

Mark the second drill hole using a spirit level.

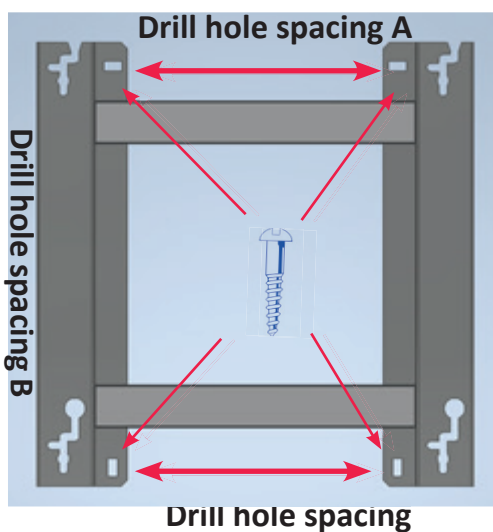


Attach bracket

Once you have drilled all the holes, insert the remaining wall plugs and secure the wall bracket with the screws. Tighten all four screws and check that the wall bracket is securely attached to the wall.

Please ensure that the wall bracket is exactly level so that the heater can be inserted correctly and securely locked into place. Please note the vertical or horizontal suspension!

Vertical suspension



Vertical suspension:

Slide the heater into the mounting slots until the mounting pins rest in the lowest position of the vertical slots.

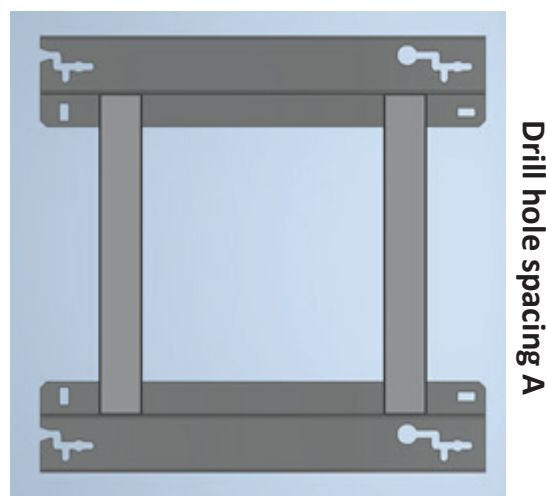
Horizontal suspension

Horizontal mounting:

Slide the heater into the mounting slots until the mounting pins click into place at the bottom of the horizontal slots.



Drill hole spacing B



6. Maintenance and cleaning

- The appliance is maintenance-free.
- Please disconnect the mains plug each time before cleaning or interrupt the circuit using the fuse switch.
- Always allow the heating element to cool down before cleaning.
- TECHNOTHERM infrared heaters must never be cleaned under running water or by immersing them in water.
- Please also ensure that you never clean the heating elements with a wet cloth or by spraying them with water. Wipe the heating elements either with a dry dust cloth or with a slightly damp cloth.
- Abrasive cleaners, other harsh and aggressive cleaning agents and rough cleaning cloths must not be used.
- The heating element must be completely dry before it is used again.

7. Models

all models with a height of 400 mm	Drill hole spacing in [mm]				
	Power [kW]	Length	Height	A	B
ISP351	0.40	900	400	105	415
ISP501	0.50	1200	400	105	815
ISP651	0,67	1500	400	105	1015
ISP851	0,82	1800	400	105	1015

all models with a height of 600 mm	Drill hole spacing in [mm]				
	Power [kW]	Length	Height	A	B
ISP 350	0,40	600	600	300	425
ISP 450	0,60	900	600	300	425
ISP 750	0,80	1200	600	300	825
ISP 950	1,00	1500	600	300	1025
ISP 1200	1,20	1800	600	300	1025

8. Required information according to Regulation 2024/1103

Contact details:				TECHNOTHERM - a brand of Lucht LHZ Elektroheizung GmbH & Co. KG Reinhard-Schmidt-Str. 1 09217 Burgstädt	
This product must be supplemented by a controller (e.g. RF with TPF-Eco) in order to fulfil the Commission's mandatory ecodesign requirements (EU) 2024/1103.					
Model: ISP series					
Specification	Symbol	Value	Unit	Specification	Unit
Heat output			Type of room temperature controller (select one option)		
Nominal heat output	P _{nom}	0,350 - 1,200	kW	Single-stage heat output, no room temperature control	no
Minimum heat output	P _{min}	0,350 - 1,200	kW	Two or more manual levels, no room temperature control	no
Max. continuous heat output	P _{max,c}	0,350 - 1,200	kW	Room thermostat with mechanical thermostat	no
				With electronic room thermostat	no
				Electronic room thermostat with time-of-day control	no
				Electronic room thermostat with weekly time control	yes
				Other regulatory options (multiple answers possible)	
				Room thermostat with presence detection	no
				Room thermostat with open window detection	no
				Remote control option	no
				Adaptive control of the start of heating	yes
				Operating time limit	no
				Black ball sensor	no
				Self-learning function	no
				Control accuracy	no

		Code of the temperature control (TC)	Control functions							
			f1	f2	f3	f4	f5	f6	f7	f8
Type of temperature control	Single-stage, no temperature control	NC								
	Two or more manually adjustable levels, no temperature control	TX								
	Room thermostat with mechanical thermostat	TM								
	Electronic room thermostat	TE								
	Electronic room thermostat with time-of-day control	TD								
	Electronic room thermostat with weekday control	TW								
Control functions	Presence detection		1							
	Detection of open windows			2						
	Remote control options				3					
	Adaptive control of the start of heating					4				
	Operating time limit						5			
	Black ball sensor							6		
	Self-learning function								7	
	Control accuracy with CA <2 Kelvin and CSD <2 Kelvin									8

The „TPF-Eco“ room temperature control system in conjunction with the „RF“ receivers (or an equivalent alternative thermostat system) fulfils the following requirements and thus the ErP Directive:

- Electronic room temperature control with weekday control
- with remote control option
- with adaptive start control

In addition, optional room temperature control with presence detection and room temperature control with „open window“ function can be purchased.

You can request the installation instructions for the thermostat directly from Support.

Operation without an external temperature control is not permitted. The CE marking will expire.

9. Further information

Waste disposal

The TECHNOTHERM IRH must not be disposed of with household waste, but must be handed over to collection centres or electrical retailers for proper disposal.

Garantie

5-year functional guarantee

Warranty declaration, scope of validity, warranty period, no restriction of statutory rights.

1 TECHNOTHERM GmbH & Co. KG (hereinafter „TT“) as manufacturer of the TECHNOTHERM IRH guarantees the customer (hereinafter „customer“) in accordance with the following provisions that the infrared heating element (hereinafter „product“) delivered to the customer within Europe will be free of functional defects with regard to all electronic components and cables within a period of five years after conclusion of the purchase contract.

2. in the event of a proven warranty claim within the warranty period, TT will either repair or replace the product free of charge.

3. in the event of a warranty claim, the original warranty period shall remain in effect. Claiming under the guarantee shall therefore neither extend the guarantee period nor start a new one.

4. in addition to the guarantee, the customer is entitled to his statutory rights without restriction, in particular his warranty claims under §§ 437 BGB ff. for subsequent fulfilment, withdrawal, reduction as well as compensation for expenses and damages. These rights are neither shortened nor restricted by the issued guarantee declaration. This applies regardless of whether the warranty claim occurs or whether the warranty is utilised or not.

Warranty exclusion

Claims under this guarantee only exist if

- the product shows no damage or signs of wear caused by use that deviates from the specifications in the user manual,
- attachments and conversions or other modifications have been made to the product without authorisation or defects are due to the use of accessories, supplementary parts or spare parts that are not original TT parts,
- mounting and installation have been carried out properly in accordance with TT's installation instructions and therefore the limit values for supply voltage and ambient conditions have been observed, no chemical and physical effects on the material surface of the product have been detected which are attributable to improper use (e.g. the use of incorrect cleaning agents or the use of sharp-edged objects), and
- the product number of the product has not been removed or made unrecognisable.

Reparatur

Never carry out repairs to the heating element yourself. Always contact a specialist dealer.

Assertion, presentation of the original proof of purchase, applicable law

1. claims under the warranty can only be asserted by handing over or sending in the product to *TECHNOTHERM*. The customer shall only be entitled to assert the warranty upon presentation of the original proof of purchase, which must include the date of purchase. *TECHNOTHERM* shall name a freight company to the customer for the return shipment for repair or replacement and shall also bear the transport costs. However, should the customer decide in favour of another freight company, the manufacturer shall not be liable for the costs of the shipment.

2 This guarantee is subject to the law of the Federal Republic of Germany to the exclusion of the UN Convention on Contracts for the International Sale of Goods (CISG).





TECHNOTHERM GmbH & Co. KG

Reinhard-Schmidt-Str. 1 | 09217 Burgstädt

Telefon: +49 (0) 3724 668 69 0

Telefax: +49 (0) 3724 668 69 20

info@technotherm.de | www.technotherm.com

Subject to errors and technical changes. Dimensions without guarantee! Status 04/26